

Application

Designed to house electrical controls, instruments and components in areas which may be regularly hosed down or are in very wet or oily conditions. Provides protection from dust, dirt, oil, and water.

Construction

- 0.063" stainless steel Type 304.
- Seams continuously welded and ground smooth.
- Flange trough collar around all sides of door opening.
- Pour in place oil and water resistant gasket.
- 10-32 Standoffs provided for mounting optional panels.
- Removable hinges.
- Doors open 180 degrees.
- Black mini quarter turn latches.
- Latches are opened or closed with a screwdriver.
- Ground stud on door & body.
- Mounting feet included.
- 10 degree sloping top.

Finish

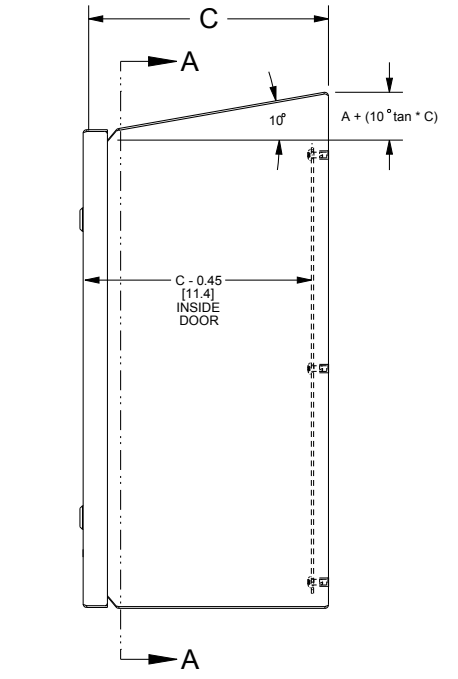
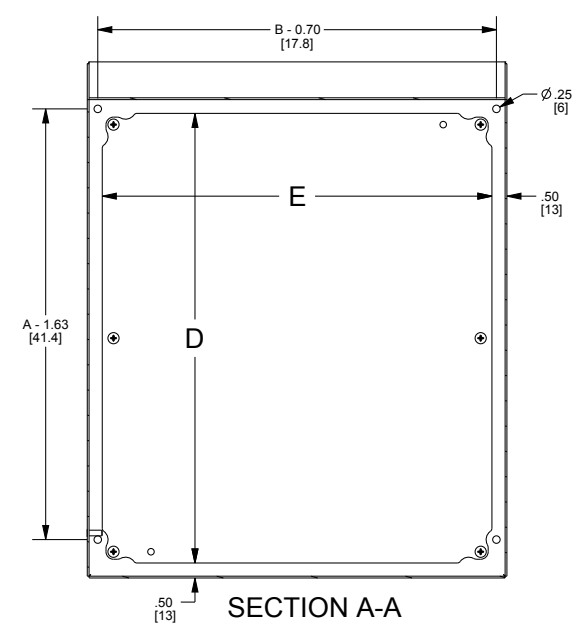
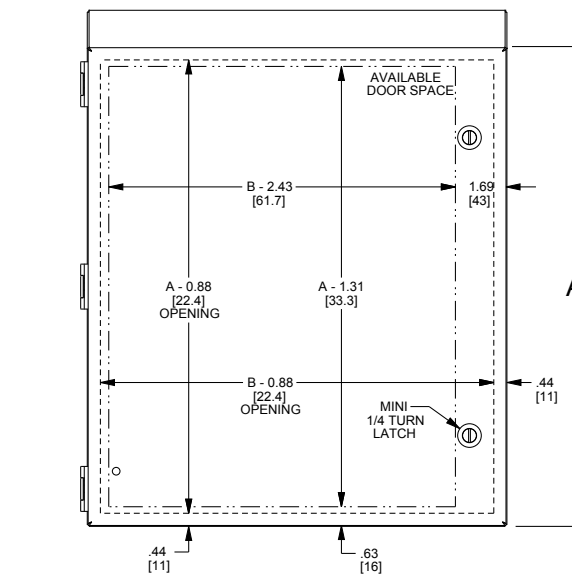
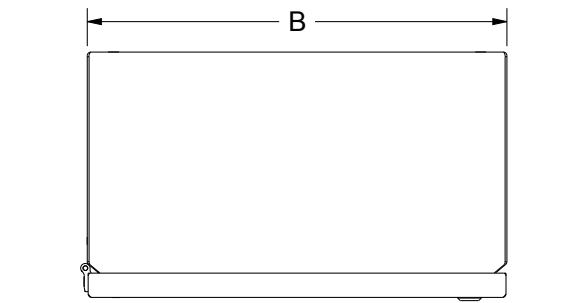
#4 brushed finish on all exterior surfaces. Optional subpanels powder coated white.

IS6 Industry Standards

NEMA Type 3R, 4, 4X, 12 & Type 13
UL Listed Type 3R, 4, 4X & 12
CSA Type 3R, 4, 4X & 12
IEC 60529 IP66

***To maintain Type 3R listing, drainage is required. Install equally rated drainage device or drill a 1/8 to 1/4 inch hole in the bottom center of the enclosure, approximately 1 inch from the right, and 1 inch from the left for drainage, use listed rain-tight or wet location hubs. Drip shield over the door is recommended for all outdoor applications.

Enclosure Product Code S8				Subpanel (P3)			
Catalog No.	Height (A)	Width (B)	Depth (C)	Industry Standard	Catalog No.	Panel Height (D)	Panel Width (E)
SCE-604ELJSSST	6.00	4.00	4.00	IS6	SCE-6P4	5.00	3.00
SCE-606ELJSSST	6.00	6.00	4.00	IS6	SCE-6P6	5.00	5.00
SCE-806ELJSSST	8.00	6.00	4.00	IS6	SCE-8P6	7.00	5.00
SCE-8066ELJSSST	8.00	6.00	6.00	IS6	SCE-8P6	7.00	5.00
SCE-1008ELJSSST	10.00	8.00	4.00	IS6	SCE-10P8	9.00	7.00
SCE-10086ELJSSST	10.00	8.00	6.00	IS6	SCE-10P8	9.00	7.00
SCE-1210ELJSSST	12.00	10.00	6.00	IS6	SCE-12P10	11.00	9.00
SCE-12108ELJSSST	12.00	10.00	8.00	IS6	SCE-12P10	11.00	9.00
SCE-1212ELJSSST	12.00	12.00	6.00	IS6	SCE-12P12	11.00	11.00
SCE-14128ELJSSST	14.00	12.00	8.00	IS6	SCE-14P12	13.00	11.00
SCE-16148ELJSSST	16.00	14.00	8.00	IS6	SCE-16P14	15.00	13.00



LATCH NOTES:
One latch centered on the door vertically if height is <= 14.00 [356]
Two latches located 3.00 [76] from top & bottom of door if height is > 14.00 [356]